

## **‘NO HOLES’ License Plate Bracket Kit BMW 5 – Series Installation Instructions**



This kit allows the owner of any BMW to attach a front license plate to their BMW without the need to drill holes. BMW has always attached the front license plate by drilling the front bumper and permanently mounting the plastic license plate bracket to the front bumper with screws. The ‘NO HOLES’ kit mounts the front license plate utilizing the front tow hook attachment point. The kit comes complete with all mounting hardware, including the screws to affix the license plate to the bracket. The bracket allows for the mounting of normal size US License plates, Rallye Plates and European style plates.

**(WARNING: The bolt installed into the TOW HOOK attachment point is not to be utilized as a tow hook bolt. It is designed to hold the license plate only.)**

### **The ‘NO HOLES’ License Plate Bracket Kit contains:**

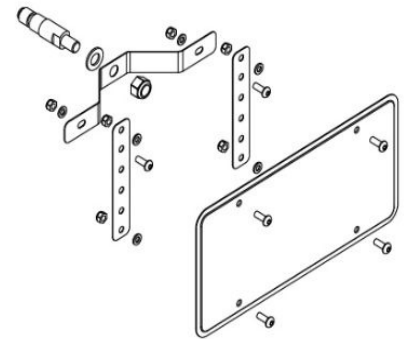
Tow Hook Adapter Bolt	(6) License Plate Bolts
License Plate Bracket	(6) License Plate Washers
(1) 19mm Bolt	(6) License Plates Lock Nuts
(1) Large 19mm Lock Washer	(2) Height Adjustment Brackets
Complete Instructions	Extra Flat Washers as Spacers

### **Tools required for installation:**

19mm Wrench or Socket w/Ratchet	19mm Wrench
10mm Wrench	4mm Allen Wrench

## **Installation Instructions:**

1. Locate the tow hook access point on the left side of the front bumper; remove the access cover by pressing the arrow on the lower side of the access cover. Gently pull plastic retainer to remove cap from car. Store cap in a safe place to reinstall later if desired.
2. Insert the 'NO HOLES' tow hook adapter bolt into the tow point and tighten with the 19mm wrench.
3. Install the license plate bracket onto the 'NO HOLES' tow hook adapter bolt, then install the lock washer and the 19mm bolt. While holding the license plate bracket in a level position, tighten the 19mm bolt until the bracket is secure.
4. At this point, install the Optional License Plate Height Adjustment Brackets. To install the license height adjusters, select the hole of the desired height and insert the bolt through the height adjuster and the license plate bracket and install washer and lock nut. Repeat for other side of license plate bracket. Next install license plate to upper and lower holes of the adjuster plates. See diagram on right
5. Attach the license plate to the bracket utilizing the (2) screws, (6) washers, and (2) nuts. Tighten with the 4mm Allen wrench and 10mm wrench. The plate and bracket may be bent slightly to allow the plate to sit flat.



**THANK YOU FOR USING THE 'NO HOLES' LICENSE PLATE BRACKET.**