

‘NO HOLES’ License Plate Bracket Kit Mercedes Benz



This kit allows the owner of any Mercedes Benz to attach a front license plate to their car without the need to drill holes. Mercedes Benz has always attached the front license plate by drilling the front bumper and permanently mounting the license bracket to the front bumper with screws. The ‘NO HOLES’ kit mounts the front license plate utilizing the front tow hook attachment point. The kit comes complete with all mounting hardware, including the screws to affix the license plate to the bracket. The bracket allows for the mounting of normal size US license plates and European style plates.

(WARNING: The bolt installed into the TOW HOOK attachment point is not to be utilized as a tow hook bolt. It is designed to hold the license plate only.)

The ‘NO HOLES’ License Plate Bracket Kit contains:

- | | |
|-----------------------|--------------------------------|
| Tow Hook Adapter Bolt | (6) License Plate Bolts |
| License Plate Bracket | (6) License Plate Washers |
| (1) 19mm Bolt | (6) License Plates Lock Nuts |
| (2) Large Washer | (2) Height Adjustment Brackets |
| (1) Large Lock Washer | |

Tools required for installation:

- | | |
|---------------------------------|-------------------|
| 19mm Wrench or Socket w/Ratchet | Adjustable Wrench |
| 10mm Wrench | 4mm Allen Wrench |

Installation Instructions:

1. Remove tow point access cover for the front tow hook mounting point located on passenger side of the front bumper. Gently pull plastic retainer to remove cap from car. Store cap in a safe place to reinstall later if desired.

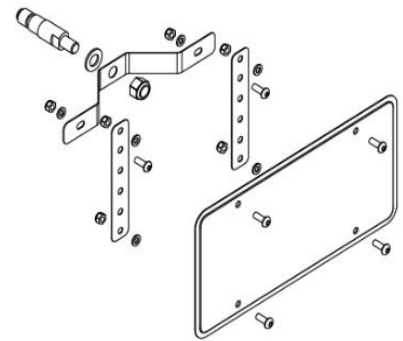
2. Insert the 'NO HOLES' tow hook adapter bolt into the tow point and tighten with the adjustable wrench.



3. Install one or both of the flat washers onto the 'NO HOLES' mounting bolt after putting the lock washer and bolt through the angled license plate mounting bracket. While holding the license plate bracket in a level position, tighten the 19mm bolt until the bracket is secure.

4. At this point, install the Optional License Plate Height Adjustment Brackets.

To install the license plate height adjusters, select the hole of the desired height and insert the bolt through the height adjuster and the license plate bracket and install washer and lock nut. Repeat for other side of license plate bracket. Next install license plate to upper and lower holes of the adjuster plates. (see diagram)



5. Attach the license plate to the bracket utilizing the (2) screws, (6) washers, and (2) nuts. Tighten with the 4mm Allen wrench and 10mm wrench. The plate and bracket may be bent slightly to allow the plate to sit flat.



THANK YOU FOR USING THE 'NO HOLES' LICENSE PLATE BRACKET.